

# SERVICE AND APPLICATION NOTES

December 16, 2013  
Revised April 16, 2015

## ECB25-10KW Electric Heat Section Wiring Error

### AFFECTED MODELS

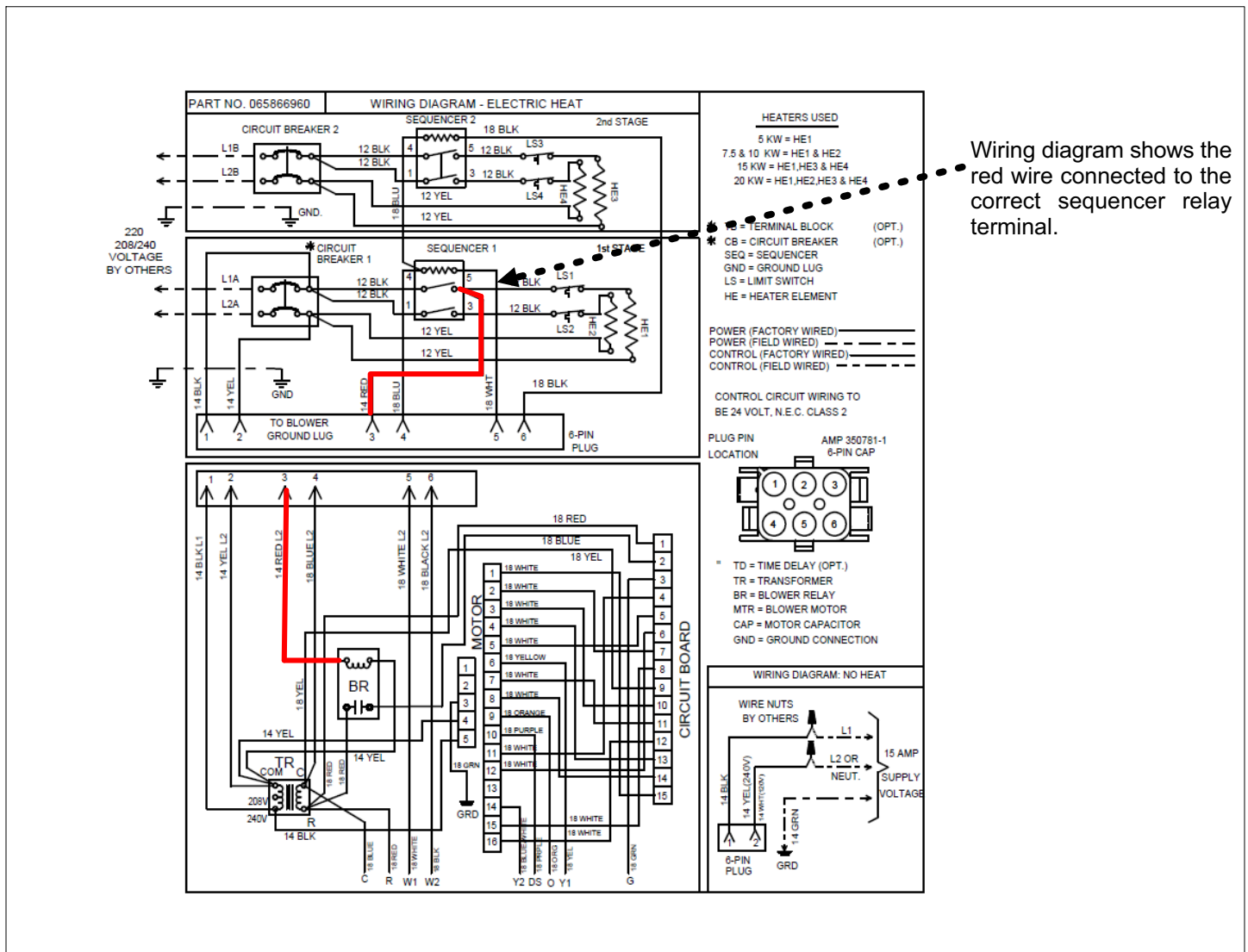
ECB25-10kW electric heat section installed in a CBX25UH and CBX25UHV air handler units.

### ISSUE

Field reports of indoor fan motors being energized as soon as main power is applied to unit.

### FIELD ACTION

1. Red wire in electric heater section that provides power to the indoor blower motor during a heating call is on the line side of the sequencer relay terminal. The red wire needs to be placed on the load side of the sequencer relay terminal as shown in figure 1.
2. The black and yellow main power wires are reversed in the 6-pin plug (see figure 3). The yellow and black wires need to be reversed (see figure 4).

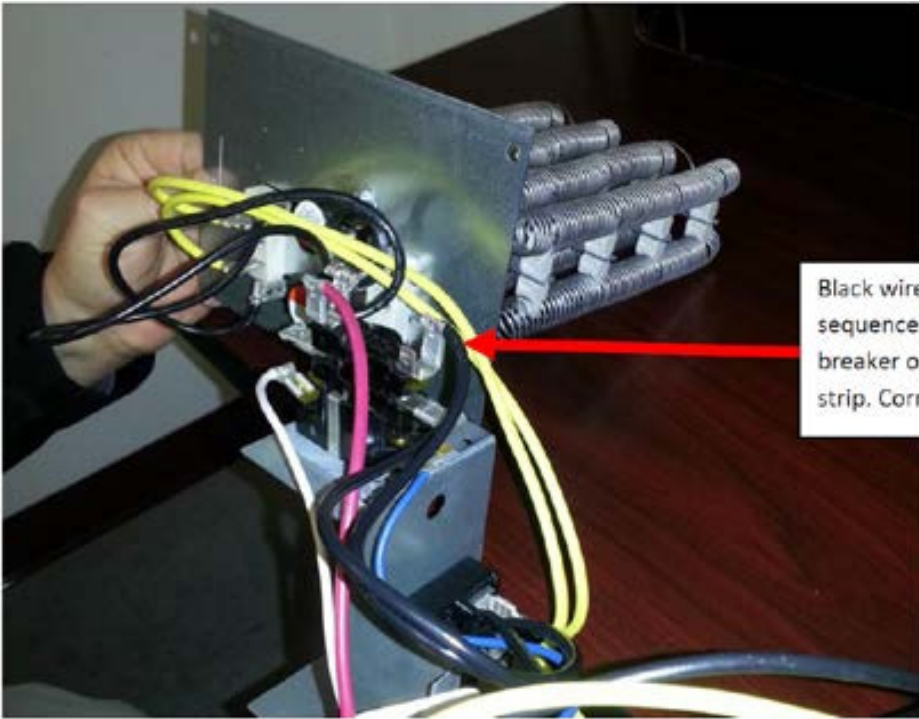
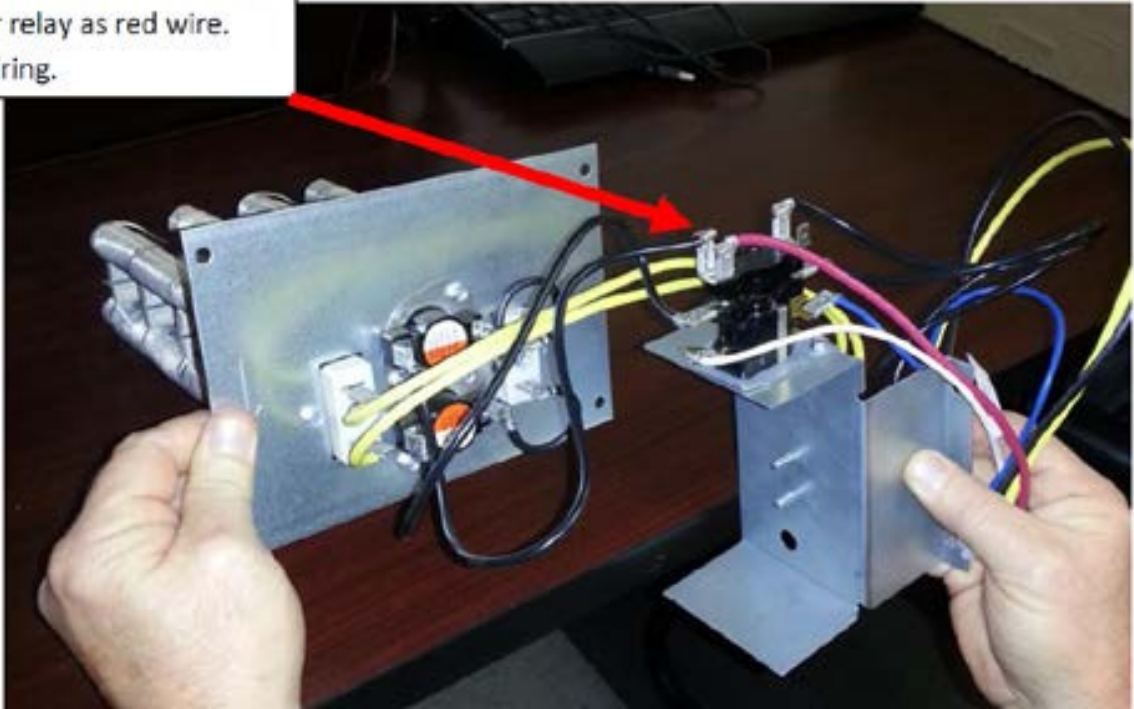


Wiring diagram shows the red wire connected to the correct sequencer relay terminal.

Figure 1. Correct Connection to Sequencer Relay Terminal

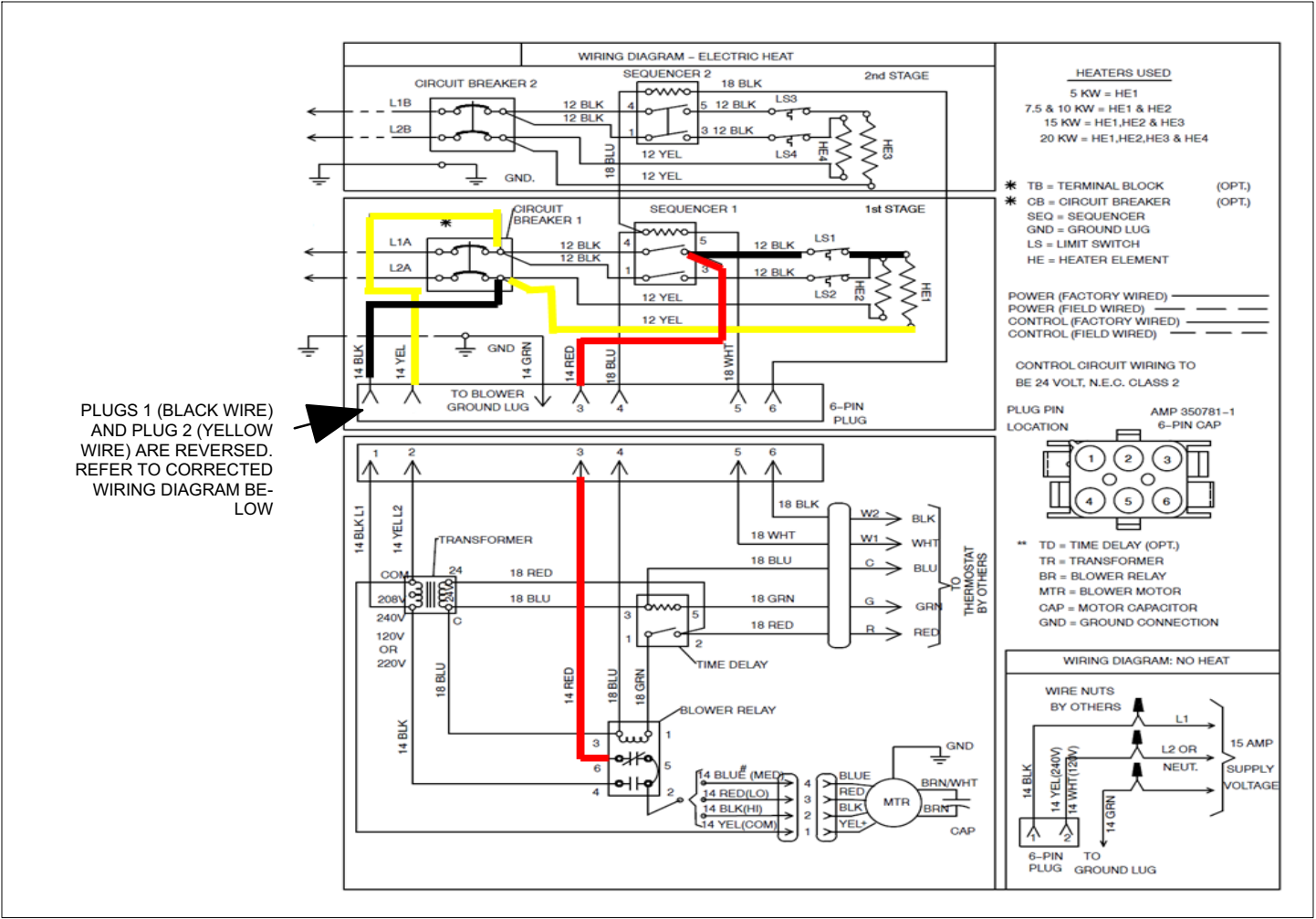


Black wire from electric heater element on same terminal of sequencer relay as red wire. Correct wiring.



Black wire on the other side of the sequencer relay goes to circuit breaker or main power terminal strip. Correct wiring.

Figure 2. Wiring Location



**Figure 3. Shows Incorrect Wiring of Yellow and Black Wires in 6-Pin Plug**

